

B2scan 6040B

X-ray inspection machine B2scan 6040B is an advanced dual-energy X-ray safety control system, with tunnel dimensions: 606 mm in width and 410 mm in height.

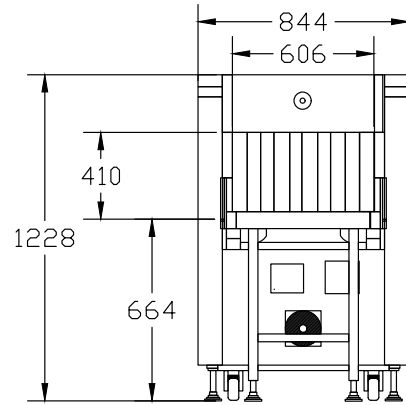
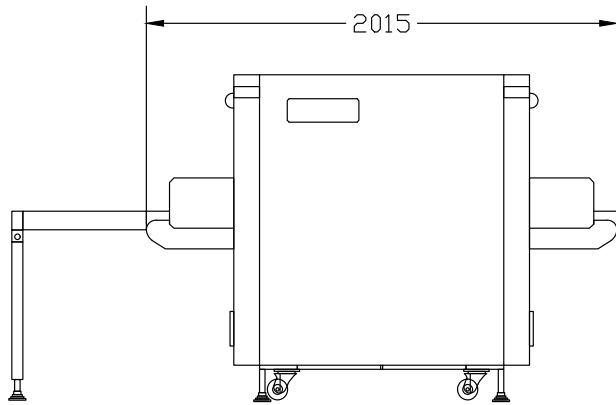
The model **B2scan 6040B** ideal for inspection of hand luggage, baggage, mail and cargo at airports, railway station, post offices, customs, ports, stadiums and other places where excessive security control is required.

B2scan 6040B is ergonomic, reliable and simple in use, provides excellent image quality and classification of suspicious objects.



Main functions:

- Image processing functions: continuous image magnification of 1-64 times, negative image, high / low penetration, organic / inorganic separation, variable absorption, pseudocolor, local image zoom, general and super-enhancement. Color separation of materials in accordance with the atomic number
- Viewing the image at different levels of absorption
- Display only organic or inorganic materials
- Viewing previous images
- Date / time display, baggage counter, operator identification number record, self-testing system, built-in diagnostic equipment, training for operation
- Automatic detection of dangerous materials by effective atomic number
- Overlay of a dangerous object image (TIP)
- Images can be saved in a common image format, such as BMP, JPG, GIF and TIFF, and can be transferred to USB storage devices
- Separation of objects by color: green – organic, yellow – inorganic, blue – metal, black – high intensity
- Viewing in black and white
- Image storage capacity - up to 200,000
- Selection of areas of high density with clarification of the selected area
- Operator's workstation: has an ergonomic design and color of the X-ray machine body. Equipped with wheels for easy movement and adjustable feet to fix the position. The body is made of sheet metal. The workstation has a built-in display (or two displays on request) and an operator console. Equipped with USB outputs for connecting keyboard/mouse and flash card. The control panel has a folding design and the ability to limit unauthorized access (with a key)
- Data transmission over a local network using the TCP / IP family of protocols
- Information exchange with the system of collecting results of technical monitoring and control using a unified data transfer protocol and an XML-based metadata



Equipment drawing

Tunnel dimensions (WxH)	606x410 mm
Conveyor speed	0,2 m/s
X-ray dose during the inspection	Less than 2,5 mSv
Conveyor height	664 mm
Maximum load capacity	160 kg (with an even distribution)
Resolving capacity (on copper wire)	Up to 38 AWG (0,1 mm wire)
Steel penetration	Up to 40 mm
Monitor	LCD 17", high resolution (other monitors on request)
Image	1280x1024/16 bps
Image modes	Color/black-white
Safety for photographic films	ASA/ISO1600 (33 DIN)
Radiation leak	Less than 1 mSv /h (5 cm from the body) meets all applicable international standards)
Detector	L-shaped detector line of high resolution
Beam direction	Up and to the side (diagonally)
Number of gray levels	4096
Anode voltage	160 kV
Anode current	0,6 mA
Cooling / duty cycle	Sealed oil bath /100%
Noise level	Less than 58 dB (A)
Power Supply: AC	220 V (+10% ~ -15%), 50 Hz (± 3 Hz)
Power consumption	0.8 kW
Operating temperature	От 0 °C до +40 °C
Humidity	10%~90% non-condensing
Dimensions (LxWxH)	2015x844x1228 mm
Weight	455 kg

The equipment has passed the mandatory and voluntary certification applicable within the territory of the Russian Federation. Technical characteristics and complete set of goods are subject to change by manufacturer without notice.