

B2scan 7555D

X-ray inspection machine B2scan 7555D is an advanced dual-energy X-ray inspection of hand luggage and baggage.

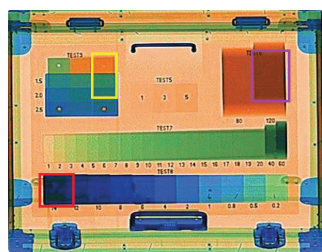
Being equipping with two X-ray generators it provides a viewing of the checked object in two projections. With tunnel dimensions of 755 mmx 555 mm (W xH) it is ideal for inspection of hand luggage and baggage at airports, railway stations, customs posts, ports, etc.

Along with unmatched ergonomics, reliability and safety, **B2scan 7555D** introscopes provide excellent image quality and improved material classification.

Two projections of the inspected object are displayed each on a separate monitor, so dangerous items and



contraband hidden under the overlapping zone are more likely to be detected. Introscope **B2scan 7555D** has the function of automatic detection of explosives and drugs.



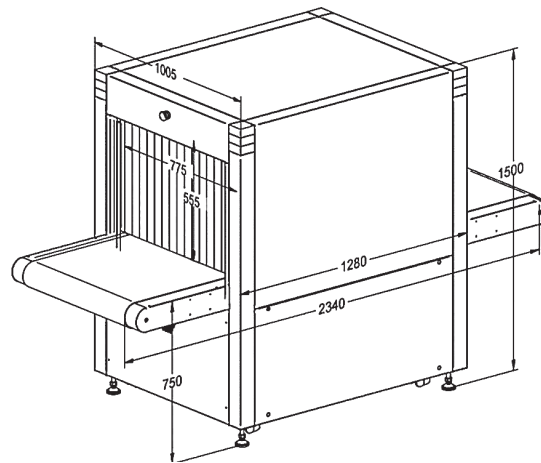
Automatic detection of explosives / drugs and alerts



Improved classification of materials: orange – organic, blue – metals, green – mixed materials.

Technological peculiarities

- High image quality with 38 AWG wire resolution and the penetrating power of steel is 34 mm.
- The X-ray dose rate around the equipment is close to the natural background level, which corresponds to all applicable international health standards and occupational safety.
- Automatic detection of explosives / drugs.
- TIP (projection of the image of dangerous objects) is a very effective way to train operators and control their work.
- Functional stepwise, continuous and local scaling provides convenient and quick magnification of the resulting image.
- The resulting images can be saved in common formats (BMP, JPG, PNG) and transfer to an external USB drive.
- The ergonomic design of the keyboard and user interface ensures effective and professional work of X-ray television introscope.
- The modular design, combined with built-in diagnostics, ensures efficient maintenance of the equipment.
- Data transmission over a local network using the TCP / IP family of protocols.
- Information exchange with the system of collecting results of technical monitoring and control using a unified data transfer protocol and an XML-based metadata.



Equipment drawing

General specifications		Operating characteristic	
Tunnel dimensions	755 mm (W) x 555mm (H)	Wire Resolution	38 AWG / 0,10mm
Conveyor speed	0,2 m/s	Steel penetration	34mm
Conveyor height	750 mm	X-ray dose during the inspection	less than 3 mSv
Maximum load capacity	160 kg with an even distribution	Monitor	LCD, 21.5 inches, high resolution 1920x1080
Image processing system		Health and safety	
Image processing functions	Color / BW image, organic / inorganic removal, change in absorption level, super-enhancement, negative image, high / low penetration, pseudocolor, etc.	X-ray dose rate	Less than 1 mSv /h (5 cm from the body) meets all applicable international standards
Material classification (by color)	Organic: orange, inorganic: blue, mixtures and light metals: green	Safety for photographic films	Guaranteed for highly sensitive film up to ASA/ISO 1600 (33 DIN)
Scaling	Selectable image scaling areas, magnification 1 ~ 64 times	Installation data	
Image return	Viewing previous images	Dimensions/weight	2350mm (L) x 1420 mm (W) x 1500mm (H) / 1050 kg
Memory capacity	Up to 100 000 images	Storage temperature	-40°C~+60°C
Additional functions	Date / time display, baggage counter, transaction log, user management, System-on/X-ray-on timers / Power-on self-test, built-in diagnostics tools, bi-directional scanning, image recognition training	Operating temperature range	0°C~+40°C
		Humidity	5%~95% non-condensing
		Power supplies	AC power 220B(15%~+10%) 50 Hz / 60 Hz ± 3 Hz
		Power consumption	1,0 kVA