

Radio wave
scanner

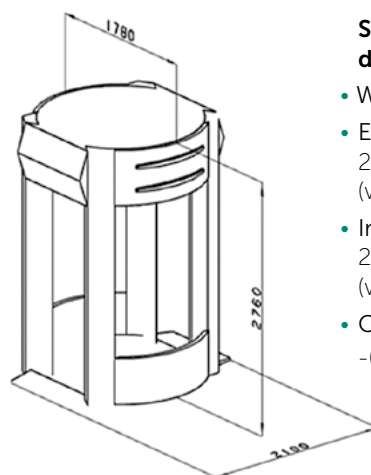
B2scan HMS-2000

Application area:

Designed for non-contact inspection and accurate detection of foreign objects on the body and clothing of the inspected person.

Technological features

- Safe technology of active millimeter wave
 - Detection of metallic and non-metallic objects, including caustic, flammable and explosive liquids and gels
 - Recognition Rate increased up to 95%
 - High-speed visualization system: up to 400 people per hour
 - High efficiency of inspection: objects of any material can be quickly displayed with high resolution
 - 3D-visualization.
 - Complete privacy protection of inspected persons: when scanning the human body, the ethical privacy problem is completely solved - the system blurs the human face and intimate places and marks only suspicious objects
 - «Virtual body» display technology
 - The radiation dose per scan is less than 1/1000 of a standard mobile phone signal
 - Data transmission over a local network using TCP / IP protocols
 - Information exchange with the system of technical monitoring results collection and control using a unified data transfer protocol and XML-based metadata format
-
- Mains voltage: AC210 V~242V, 50/60 Hz
 - Radiation power: ≤ 1 mW/cm²
 - Power consumption: <2 kW



Scanner dimensions:

- Weight: 830 kg
- External dimensions: 2100 mm (d) x 1780 mm (w) x 2760 mm (h)
- Internal dimension: 2100 mm (h) x 500 mm (w) x 2100 mm (d)
- Operating temperature: -0 °C to +45 °C

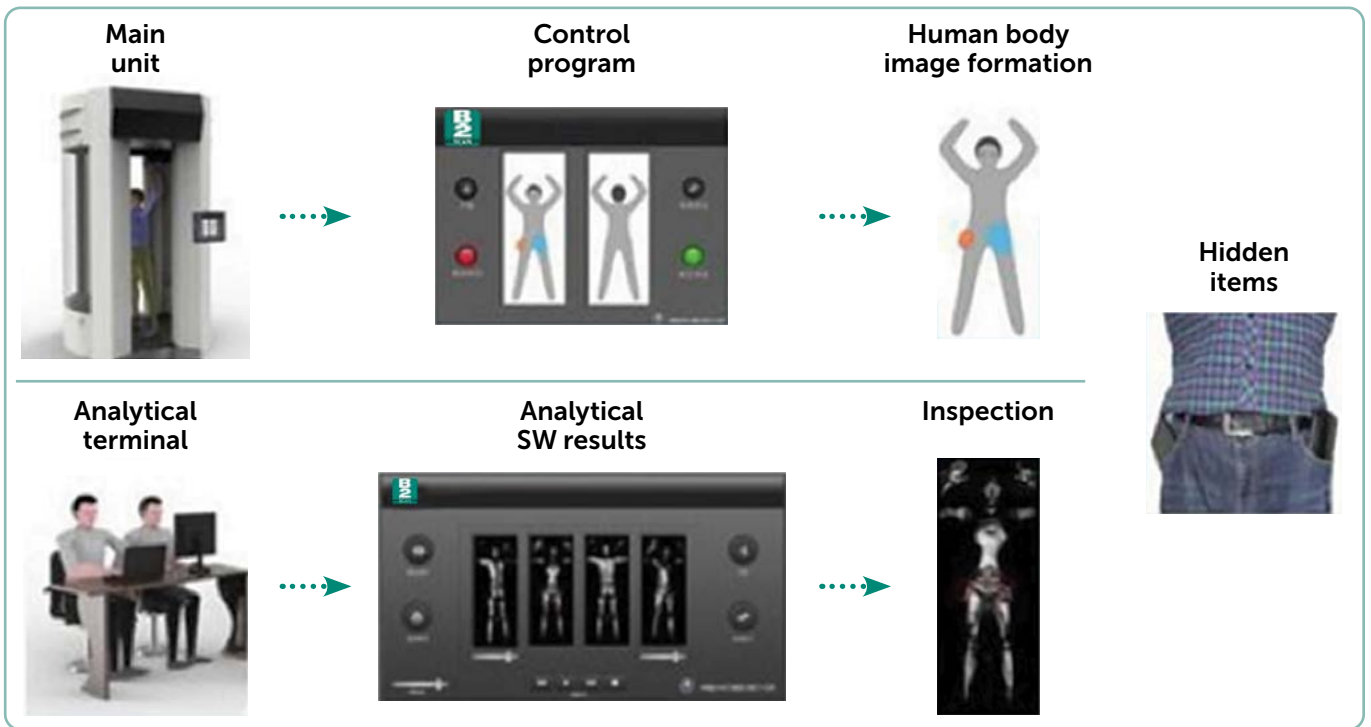


The equipment has passed compulsory and voluntary certification applicable on the Russian Federation territory. Technical parameters and complete set of goods are subject to change without notice.

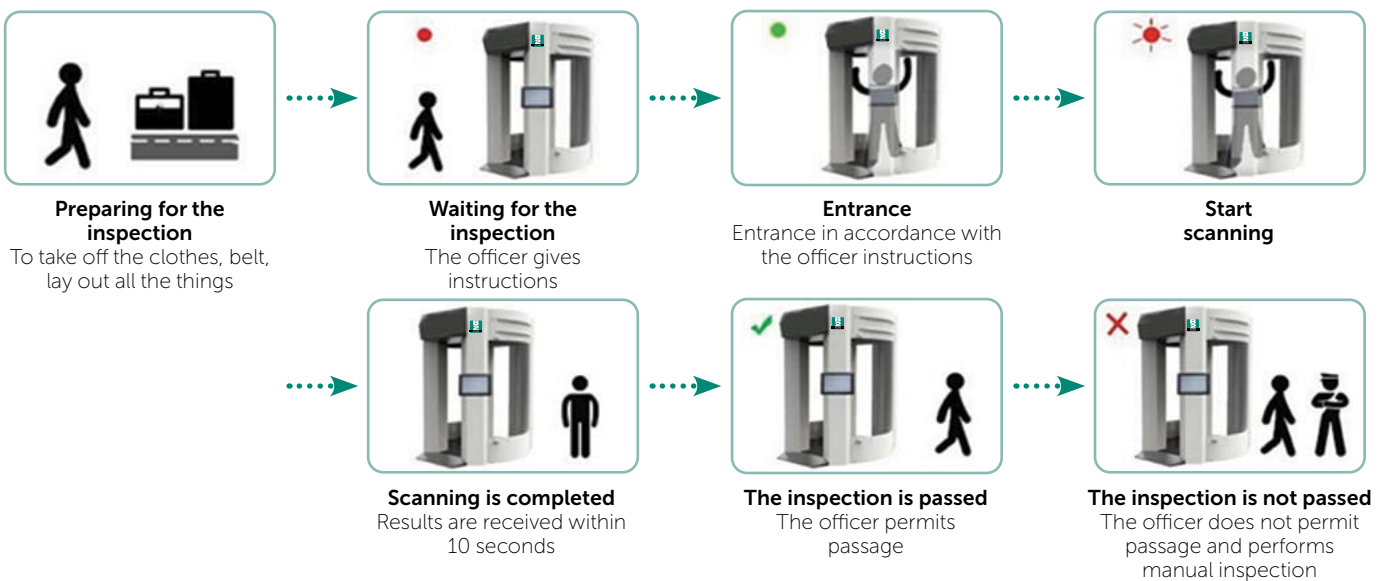
www.b2scan.ru

+7 (495) 181 7757 | info@b2scan.ru |

The scheme of system operation:



The process of inspection:



Privacy system

