

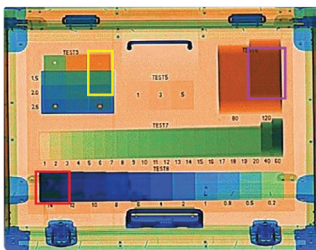
B2scan 6080D

X-ray inspection machine B2scan 6080D is an advanced dual-energy X-ray inspection system for hand luggage, baggage and cargo. Being equipped with two X-ray generators, it provides the display of the inspected object in two projections. With tunnel dimensions of 658 mm x 758 mm (W x H) it is ideal for screening hand luggage, baggage and cargo at airports, railway stations, customs posts, ports, etc. Along with unmatched ergonomics, reliability and safety, X-ray inspection machines **B2scan 6080D** provide excellent image quality and improved material classification.

Two projections of the inspected object are displayed each on a separate monitor, so dangerous items and contraband hidden under the overlapping zone are more likely to be detected.



X-ray inspection machine **B2scan 6080D** has the function of automatic detection of explosives and drugs.



Automatic detection of explosives / drugs and alerts



Improved classification of materials: orange – organic, blue – metals, green – mixed materials

Technological features

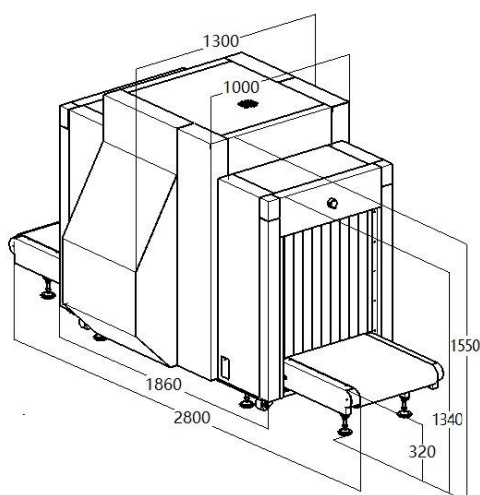
- High image quality with 40 AWG wire resolution and 36 mm steel penetration
- The X-ray dose rate around the equipment is close to the natural background level, which corresponds to all applicable international health standards and occupational safety
- Automatic detection of explosives / drugs
- TIP (projection of the image of dangerous objects) is a very effective way to train operators and control their work
- Functional stepwise, continuous and local scaling provides convenient and quick magnification of the received image
- Received images can be saved in common formats (BMP, JPG, PNG) and transfer to an external USB drive
- The ergonomic design of the keyboard and user interface ensures effective and professional work of X-ray television system
- The modular design, combined with built-in diagnostics, ensures efficient maintenance of the equipment
- Data transmission over a local network using TCP / IP protocols
- Information exchange with the system of technical monitoring results collection and control using a unified data transfer protocol and XML-based metadata.

The equipment has passed compulsory and voluntary certification applicable on the Russian Federation territory. Technical parameters and complete set of goods are subject to change without notice.



www.b2scan.ru

+7 (495) 181 7757 | info@b2scan.ru |



Equipment drawing

General specifications		Operating characteristics	
Tunnel dimensions	658 mm x 758 mm (W x H)	Wire resolution	40 AWG / 0,08 mm
Conveyor speed	0,2 m/s	Steel penetration	36 mm
Conveyor height	320 mm	X-ray dose during the inspection	less than 5mk3v
Maximum load capacity	200 kg with an even distribution	Monitor	Two monitors, LCD, 21.5 inches, high resolution 1920x1080
Image processing system		Health and safety	
Image processing functions	Color / BW image, organic / inorganic removal, change in absorption level, super-enhancement, negative image, high / low penetration, pseudocolor, etc.	X-ray dose rate	Less than 1m3v/h (5 cm from the body) meets all applicable international standards
Material classification (by color)	Organic: orange, inorganic: blue, mixtures and light metals: green	Safety for photographic films	Guaranteed for highly sensitive film up to ASA/ISO 1600 (33 DIN)
Scaling	Selectable image scaling areas, magnification 1 ~ 64 times	Installation data	
Image return	Viewing previous images	Dimensions / weight	2800 (L) x 1300 mm (W) x 1550 mm (H) / 850 kg
Memory capacity	Up to 100 000 images	Storage temperature	-40 °C~+60 °C
Additional functions	Date / time display, baggage counter, transaction log, user management, X-ray television system / X-ray generator operating time counters, power-on self-test, built-in diagnostics tools, bi-directional scanning, image recognition training	Operating temperature range	0 °C~+40 °C
		Humidity	5%~95% non-condensing
		Power supplies	AC power 220V (15%~+10%) 50 Hz / 60 Hz ± 3 Hz
		Power consumption	0,9 kVA